

## DESCRIPTION

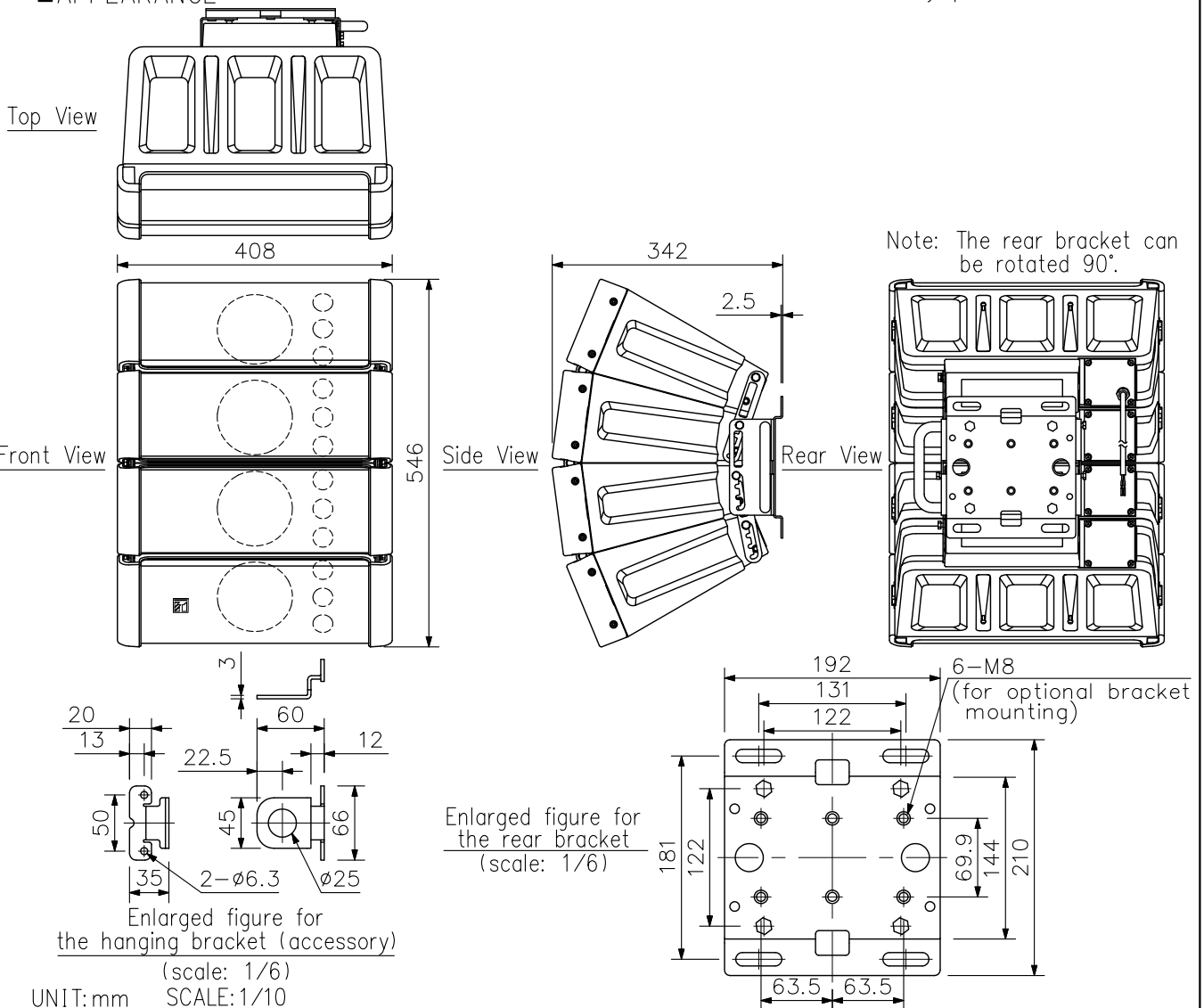
The HX-5W-WP is a 2-way compact speaker system that permits both constant directivity control over a wide frequency range and changes in directivity. It is ideal for reproducing clear sound in spaces with long reverberation times or high background noises. The HX-5W-WP is designed for outdoor use.

## SPECIFICATIONS

Enclosure	Sealed type
Power Handling Capacity	Continuous pink noise: 200 W, Continuous program: 600 W
Rated Impedance	8 Ω
Sensitivity (1 W, 1 m)	96 dB (60° mode), 97 dB (45° mode), 98 dB (30° mode), 99 dB (15° mode) *
Frequency Response	95 Hz - 20 kHz (-10 dB) (60° mode), 100 Hz - 20 kHz (-10 dB) (45° mode), 105 Hz - 20 kHz (-10 dB) (30° mode), 110 Hz - 20 kHz (-10 dB) (15° mode)
Crossover Frequency	4 kHz
Directivity Angle	Horizontal: 100° (2 kHz or more) Vertical: 60° (800 Hz or more), 45° (1.2 kHz or more), 30° (1.6 kHz or more), 15° (3.2 kHz or more) variable
Speaker Component	Low frequency: 12 cm cone-type × 4, High frequency: Balanced dome-type × 12
Speaker Cord	2-core cabtyre cord with diameter of 6 mm
Water Protection	IPX4 (Install with the every speaker module downward.)
Operating Temperature	-15 °C to +50 °C
Finish	Enclosure: Polypropylene, white Punched net: Surface-treated steel plate, white, rust proof coating
Dimensions	408 (W) × 546 (H) × 342 (D) mm
Weight	16 kg
Accessory	Hanging bracket ...2, Hex. wrench ...1
Option	Matching transformer: MT-200 Speaker mounting bracket: HY-PF1WP, HY-CW1WP, HY-WM1WP, HY-WM2WP, HY-CN1W-WP

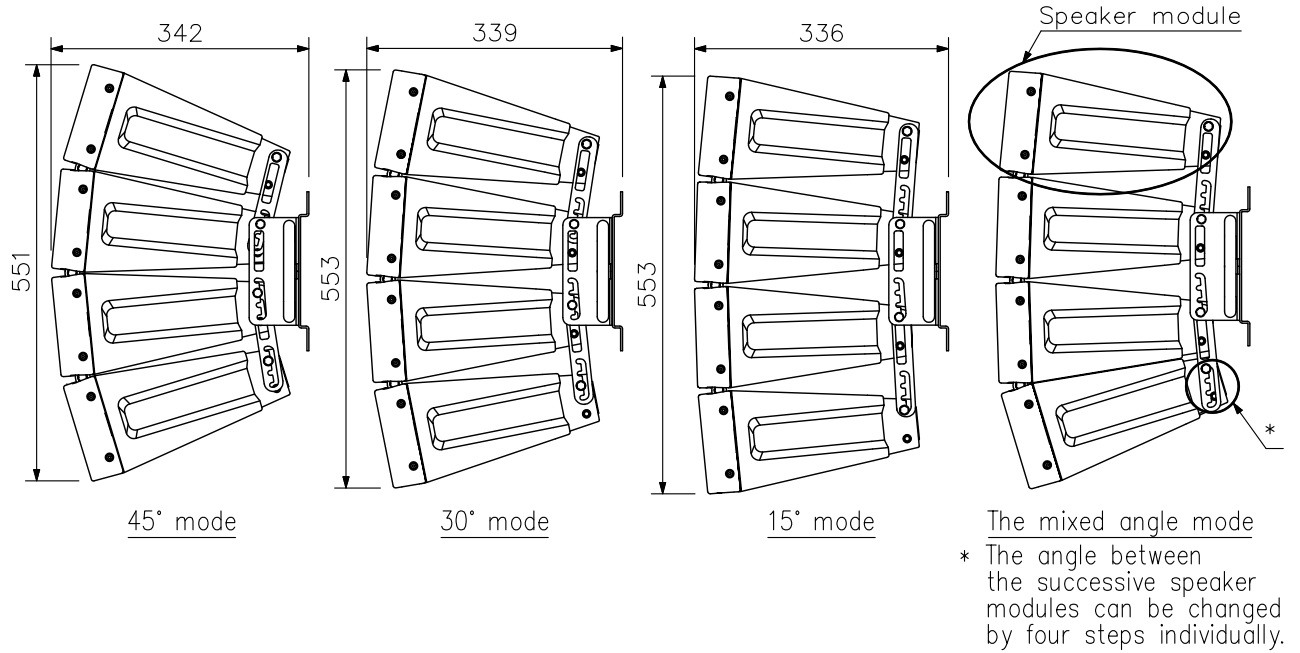
## APPEARANCE

\* (Factory-preset: 60° mode)

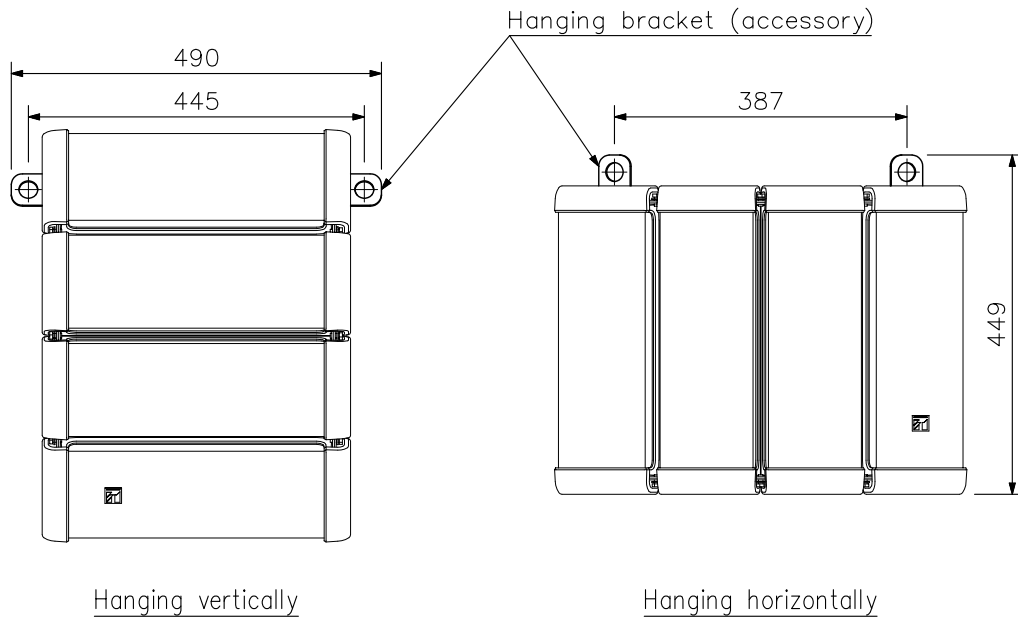


■ **APPEARANCE**

Example for adjustment of the directivity angle



Example for hanging bracket mounting



Note: Every speaker module must be aimed horizontally or down to keep the weather resistant capability.

UNIT:mm    SCALE:1/10